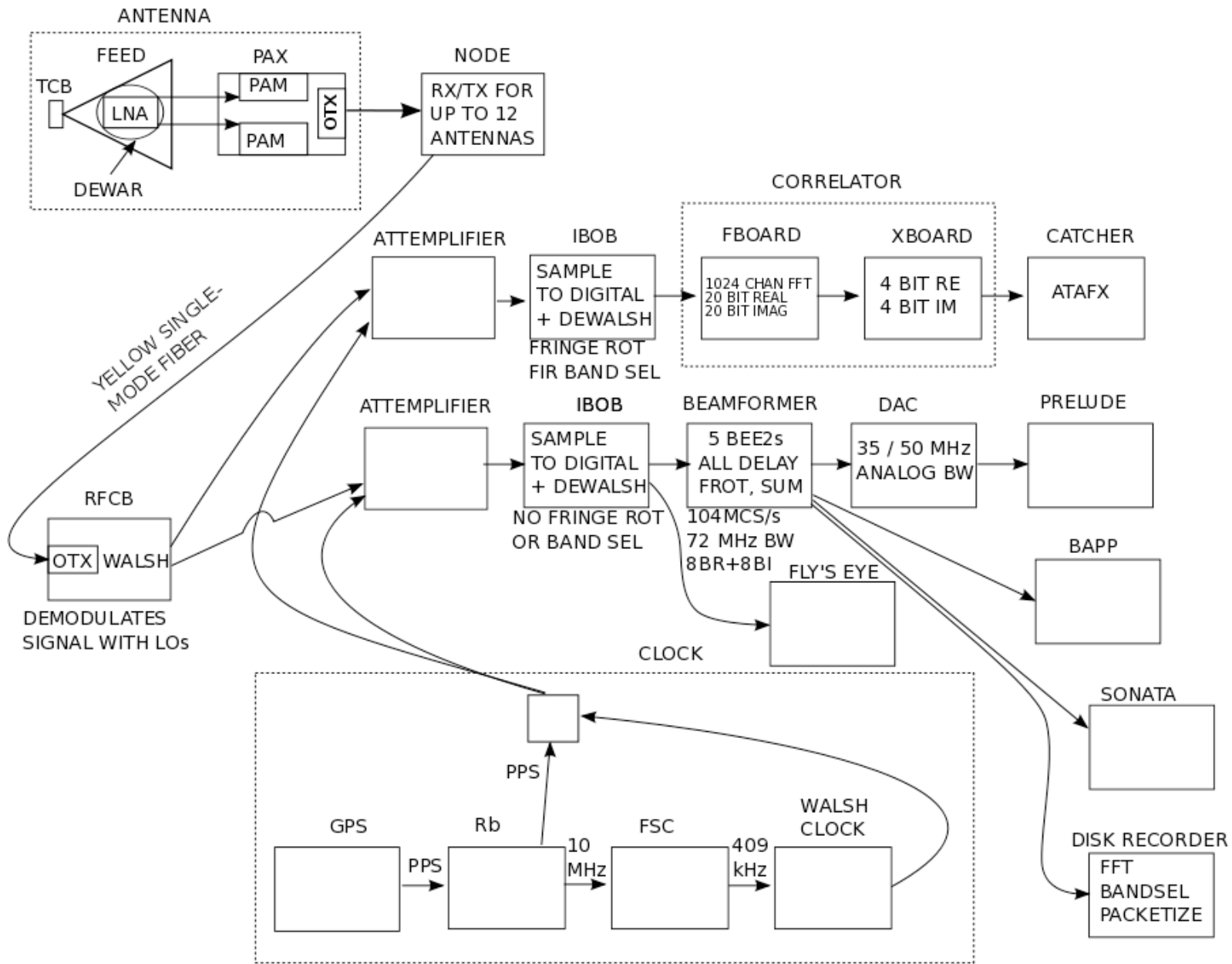
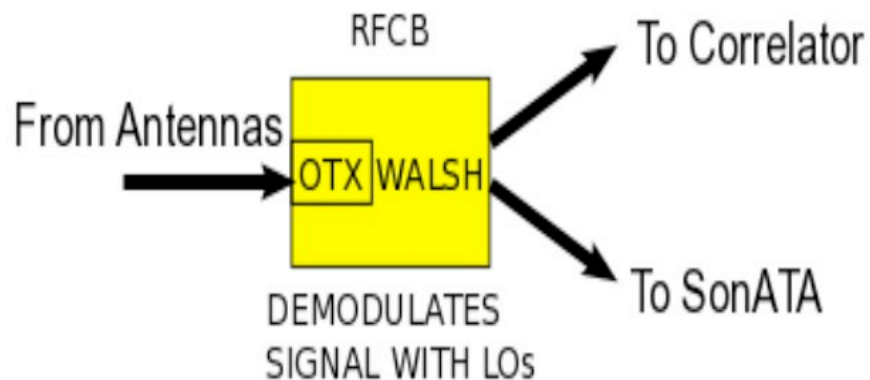


# ATA Data Capture Antennas To Disk

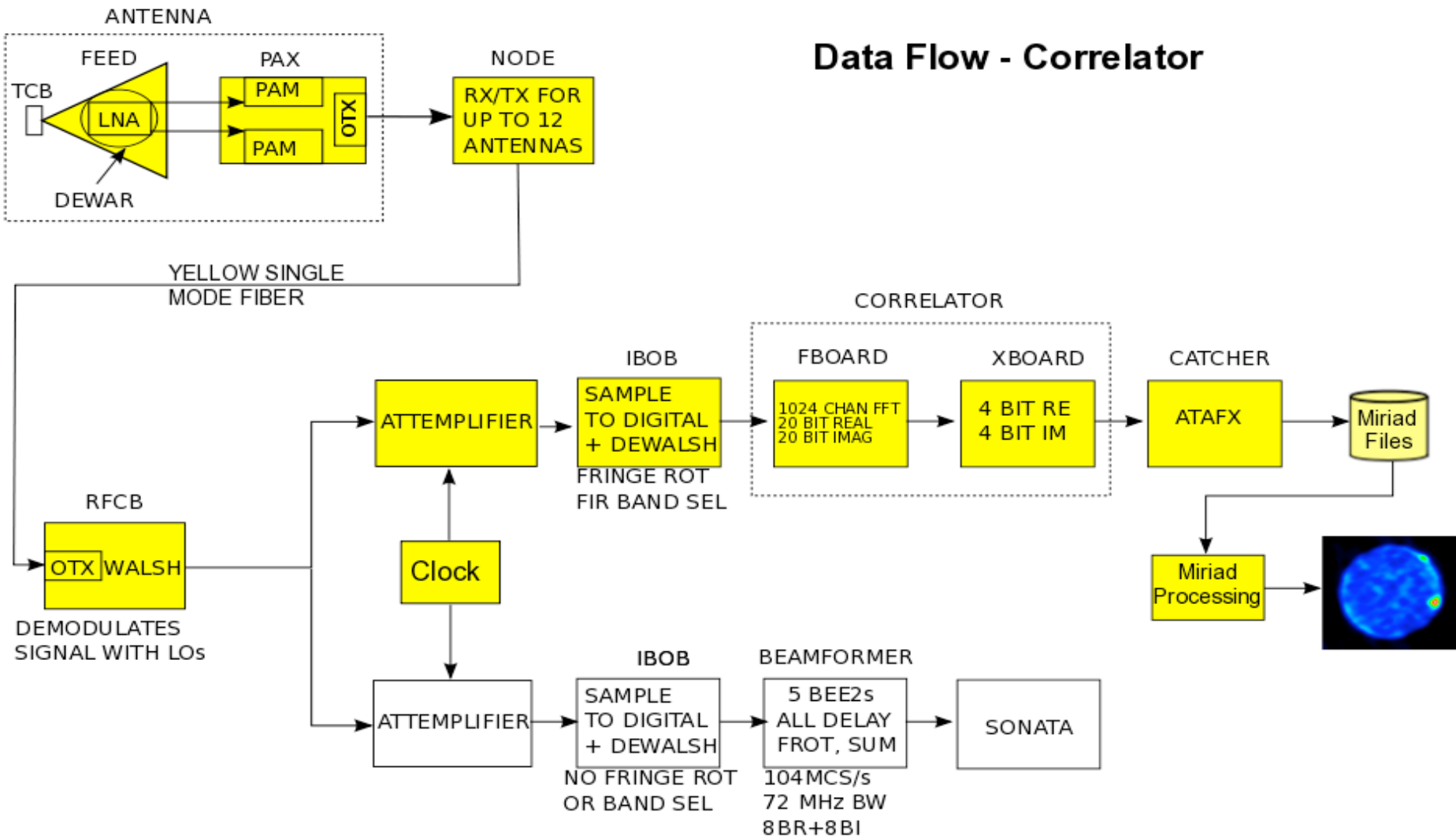
Jon Richards – The SETI Institute



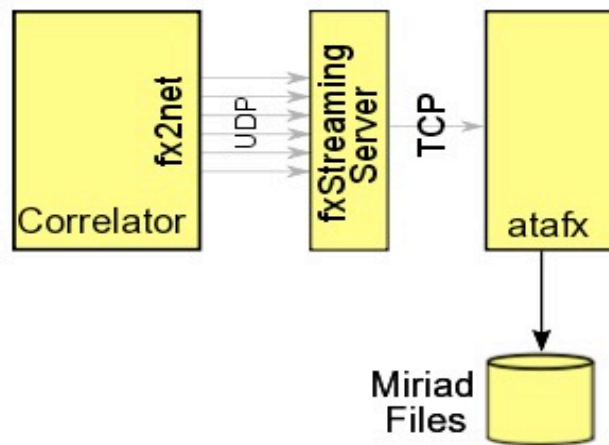
# One Data Path Branches to Two



- Signal comes in from antennas
- Signal is demodulated
- Walshing applied to the signal
- Signal is then fed to
  - Correlator
  - SonATA

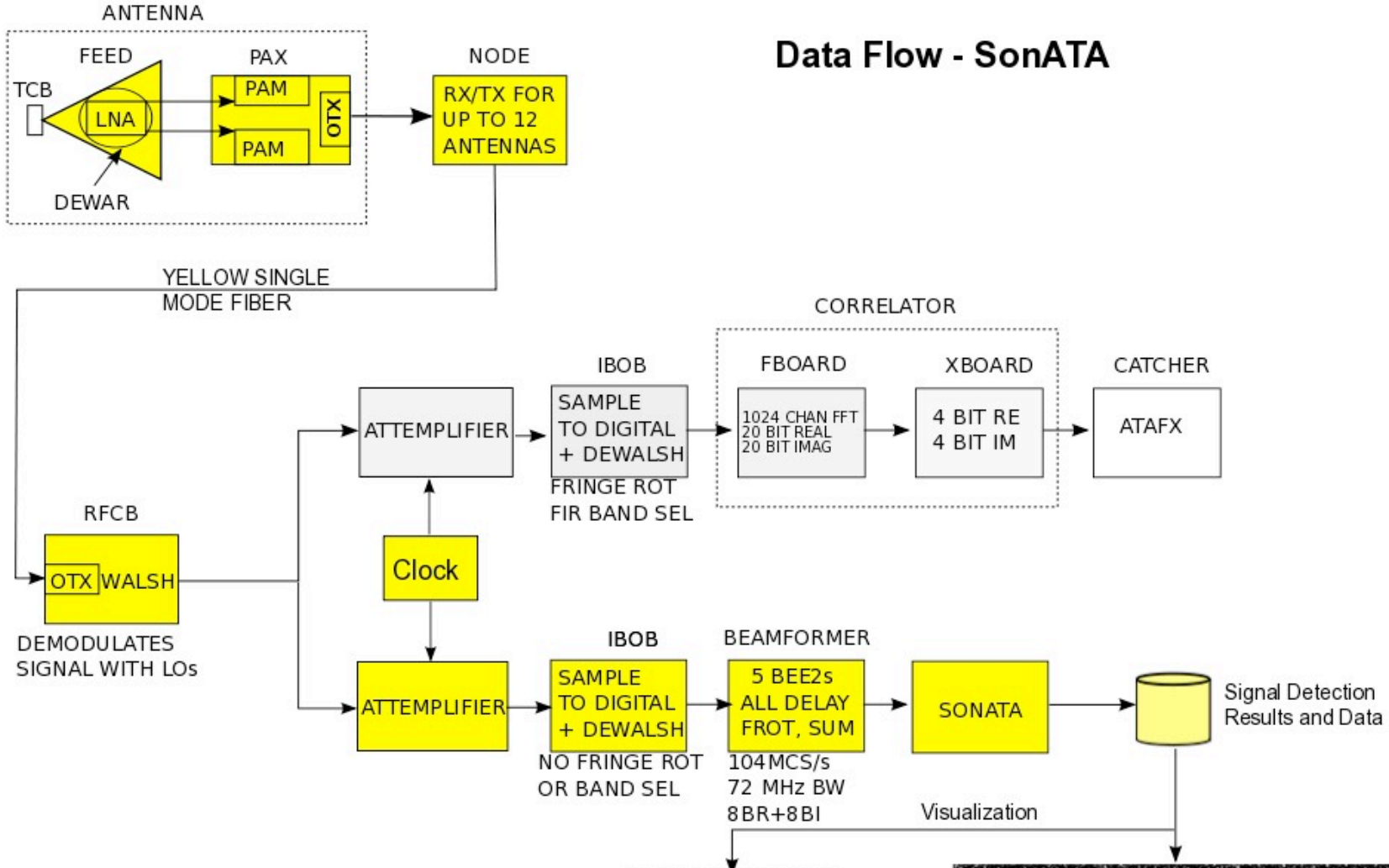


# atafx – The Catcher

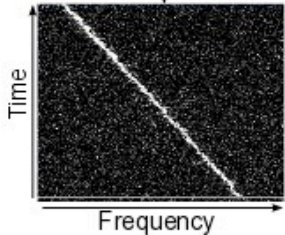


- fxStreamingServer collects the baseline data
- One UDP socket per baseline
- One fxStreamingServer per correlator
- atafx simply reads data and packages it as a Miriad file

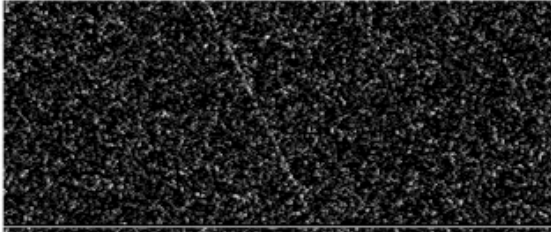
# Data Flow - SonATA



SonATA = SETI on the ATA



(Rosetta spacecraft - observed Aug 04, 2010)



Voyager spacecraft



# SonATA Data Flow

